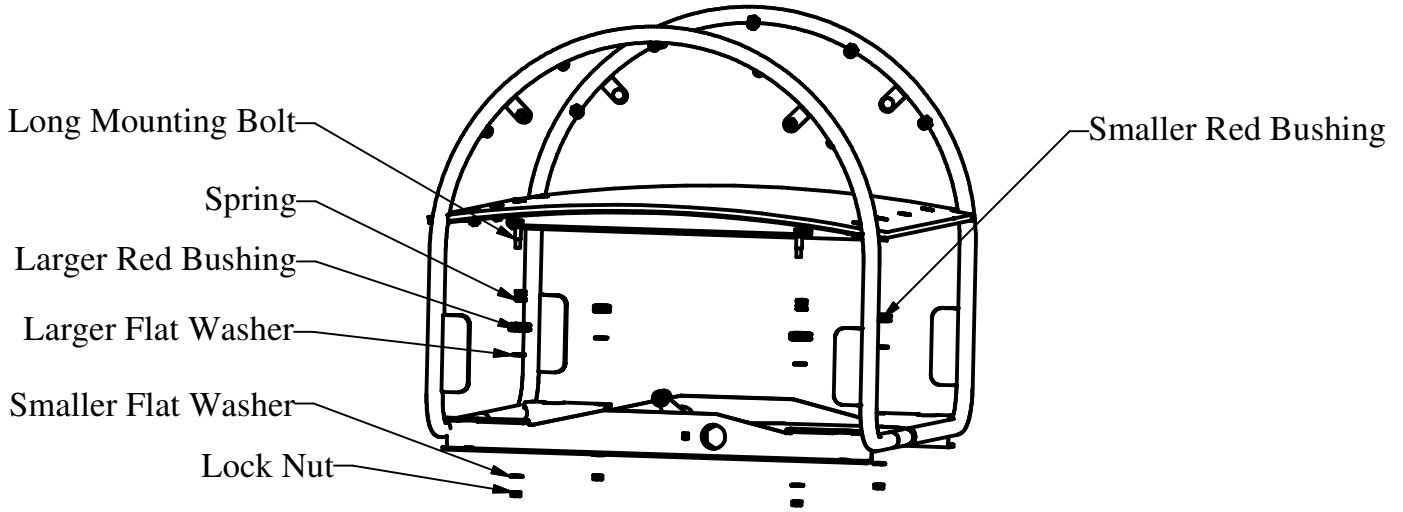


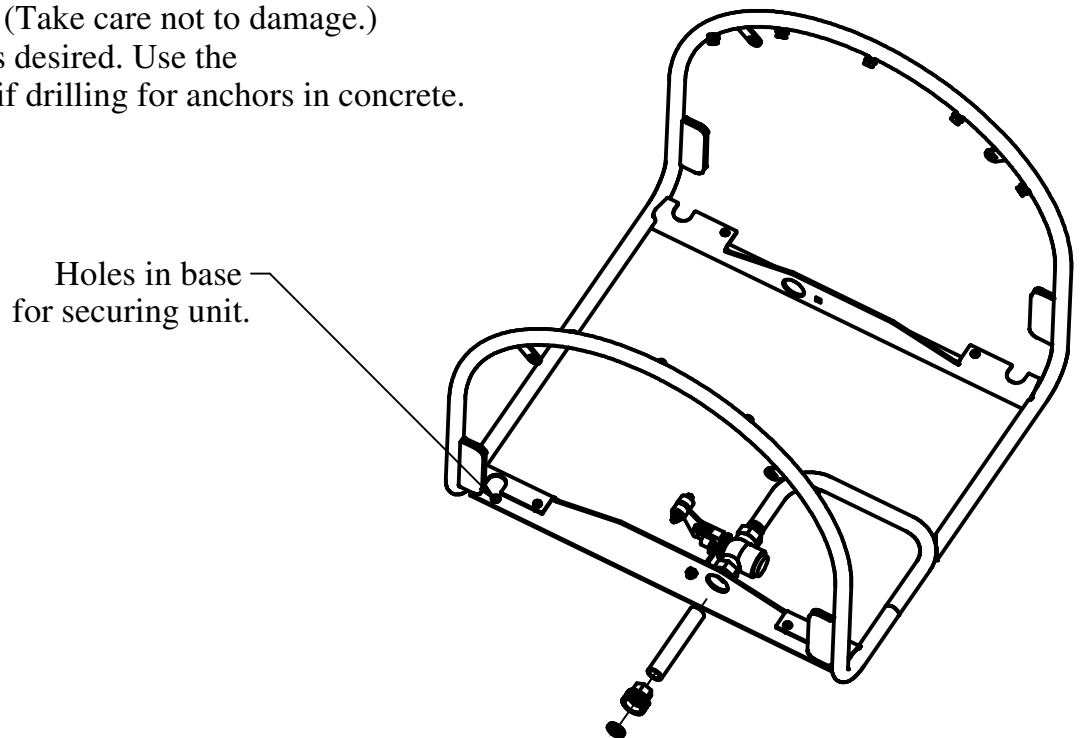
Tools Required:

- ◆ 7/16" hand wrench (or hand-ratchet wrench)
- ◆ Large vice grips (or small pipe wrench)
- ◆ Teflon tape (or suitable pipe sealant)
- ◆ Optional: 3/8" fasteners to bolt the unit to the surface
(Type and length will be dependent upon the surface to which the unit is to be attached. Star head or allen head fasteners are recommended to deter theft.)



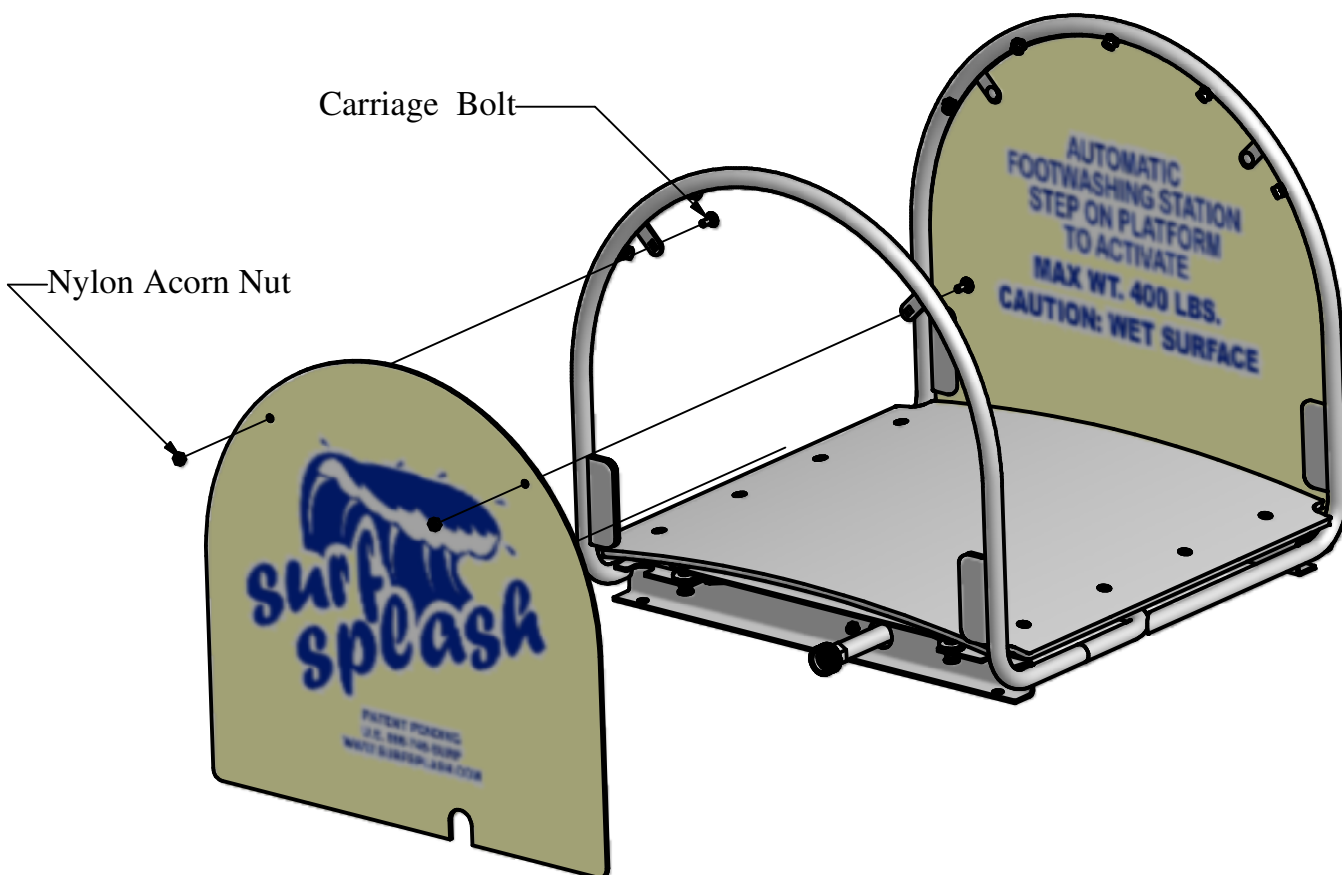
STEP 1

- ◆ Remove 4 lock nuts and washers from bottom of deck.
- ◆ Remove deck and set aside. (Take care not to damage.)
- ◆ OPTIONAL: Secure unit as desired. Use the holes in the base as a guide if drilling for anchors in concrete.



STEP 2

- ◆ Install pipe, hose fitting, and rubber washer . Use teflon tape or pipe sealant.
- ◆ OPTIONAL: Hard plumb the unit as desired. **(NOTE: If the unit is hard plumbed, it is recommended that a union be placed at or near the inlet pipe so that any future maintenance on the unit may be easily performed.)**
- ◆ Reassemble the deck.
- ◆ Be sure the larger red bushings, springs, and larger flat washers are on the long bolts and that they are positioned on the valve side of the base.
- ◆ Also, be sure that the larger flat washers are positioned under the larger red bushings and on top of the frame channel to prevent the springs from protruding through the holes.



STEP 3

- ◆ Install side panels with "Surf Splash" logo toward outside of unit, using carriage bolts and nylon acorn nuts.
- ◆ Use a 7/16" wrench to tighten acorn nuts until they are snug. To prevent stripping, do not overtighten nuts.